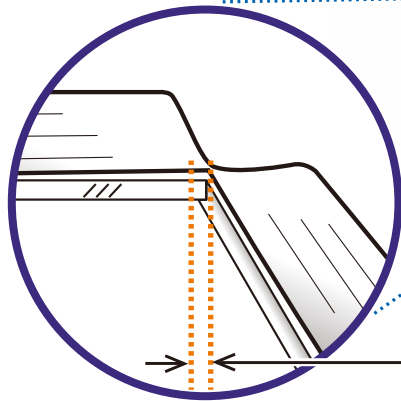


Your Perfect Choice for Book Scanning



<2 mm

Features:

- The slightly slanted front platform makes book scanning a breeze
- Support A3-sized document
- Brightness and contrast controls to customize color output for specific applications
- Hi-speed USB 2.0 interface
- Includes TWAIN and ISIS Driver
- One button functionality allows you to assign up to 9 scanning applications and perform at the touch of a button

Avision's book edge scanners feature a unique, innovative flatbed platform, with a slanted front edge engineered to accommodate books in a way that prevents the dark, shadowy area near the spine from appearing. Curved text often seen near the center is also eliminated, since this special design allows pages to spread flat on the scanner. Never again would you need to press the book against the scanner, which distorts the scanned image and potentially damages the book.

The FB6280E supports documents up to A3 sizes. Its core image processing components are CCD based with a 600 dpi optical resolution, enabling it to output picture perfect quality while meeting the most stringent demands of business professionals anywhere.

What we have bundled

The Avision FB6280E scanner comes with TWAIN and ISIS drivers, and is bundled with Avision Button Manager, AvScan 5.0, and ScanSoft PaperPort 11SE.

Avision's Button Manager

Complete your scan in a single step



The Button Manager main screen

Avision's state-of-the-art software application, the Button Manager, enables you to complete complex scanning task in just a single step. When the button is pressed, the scanner automatically scans your documents and converts them to a highly compressed file format, Adobe searchable PDF, or other image formats, and then sends the file to a designated folder, or other destination applications such as e-mail, printer, or your favorable software application. The original step-by-step procedure is replaced with only a single touch of the button.

Avision's
Button Manager scans
directly to Adobe®
certified searchable
PDF!



Avision FB6280E A3 Bookedge Scanner

Button Manager

Deliver and Manage Your Document Better on the Internet

Fit for both first-time and experienced users alike

For first-time users, Avison's Button Manager provides true ease-of-use with 9 pre-configured file formats and destinations. For advanced users, Avison's Button Manager makes full customization possible. For example, you can change scan settings, file formats, or even add new destination software application to fit your own scanning needs.

Automatically converts to Adobe certified searchable PDF

Incorporated with Adobe's PDF scan library, Avison's Button Manager allows users to scan and convert document to a increasingly popular and effective compression file format, Adobe searchable PDF, to share and manage high volume or high-resolution color documents on the internet in unprecedented quality and speed.

The Intelligent Document Management Tool-AvScan 5.0



The AvScan 5.0 main screen

Document Imaging is the very first step of Document Management. However, poor quality images can cause serious problems to later indexing or storing processes. It may increase scanning labour costs and lowers the OCR accuracy. AvScan 5.0 ensures all documents are checked and polished at the time they are scanned such that the image quality is guaranteed before they are ready to use for other purposes.

AvScan 5.0 is an intelligent scanning and electronic filing solution. AvScan 5.0 possesses distinct features that convert and index scanned information into electronic documents for easy storage and fast retrieval.



ScanSoft PaperPort

- The Professional Choice to Organize and Share Your Documents

PaperPort is the easiest way to turn piles of paper and photos into organized files that you can quickly find, use and share. Stop wasting time searching for paper documents. End the frustration of organizing, editing and sharing your digital photographs. PaperPort makes it simple to connect your scanner and computer together to work with PDF and JPEG images just like working with paper documents right on your desktop. It is the perfect solution for your home or small office. Save time and money with the security of knowing that important documents and photos will never be lost.

Avision FB6280E Product Specifications

Paper Feeding:	Flatbed, *ADF (optional)
Scanning Technology:	Color Charged-Coupled Device (CCD)
Document Size (Flatbed):	Max. 300 mm x 432 mm (11.8 in x 17 in)
Scanning Speed:	4.5 sec. (B/W@300dpi, A3)
Optical Resolution:	600 dpi
Output Resolution:	75, 100, 150, 200, 300, 400 and 600 dpi
Output Formats:	B&W, greyscale, 24-bit, color
Bundled Software:	Avision ButtonManager Avision AVScan 5.0 PaperPort 11SE
Interface/Drivers:	USB 2.0 / TWAIN,ISIS
Power Supply:	Input: 100~240 VAC, 50/60 Hz Output: 24V, 2A
Power Consumption:	<38.4 W
Environmental Factors:	Operating temperature: 10°C to 35°C (50°F to 95°F) Operating humidity: 10% to 85%
Acoustical Noise:	Standby: <45 dB Operating: <56 dB
Dimensions (W x D x H):	645 mm x 428 mm x 135 mm (25.4 in x 16.9 in x 5.3 in)
Weight:	7.6 kg (16.7 lbs)
Recommended Daily Scanning Volume:	Up to 2,500 pages

(* Automatic Document Feeder: Optional)



System Requirements

- Pentium 4 or higher
- Windows®XP/2000/Vista/7
- 128MB RAM (256MB RAM for Windows XP)
- CD-ROM drive
- USB port

Contents

- FB6280E Scanner
- Quick Guide
- Power Supply
- USB 2.0 Cable
- CD-ROM includes:
 - Scanner Driver (TWAIN/ISIS Driver)
 - Avision Button Manager
 - Avision AvScan 5.0
 - PaperPort 11SE

Avision
www.avision.com

No. 20, Creation Rd. I
Hsinchu Science Park 30077, Taiwan
Tel: 886-3-5782388 Fax: 886-3-5777017

Avision Europe GmbH
Bischofstr. 101
47809 Krefeld
Tel: +49 2151 56981 40
Fax: +49 2151 56981 42
info@avision-europe.com